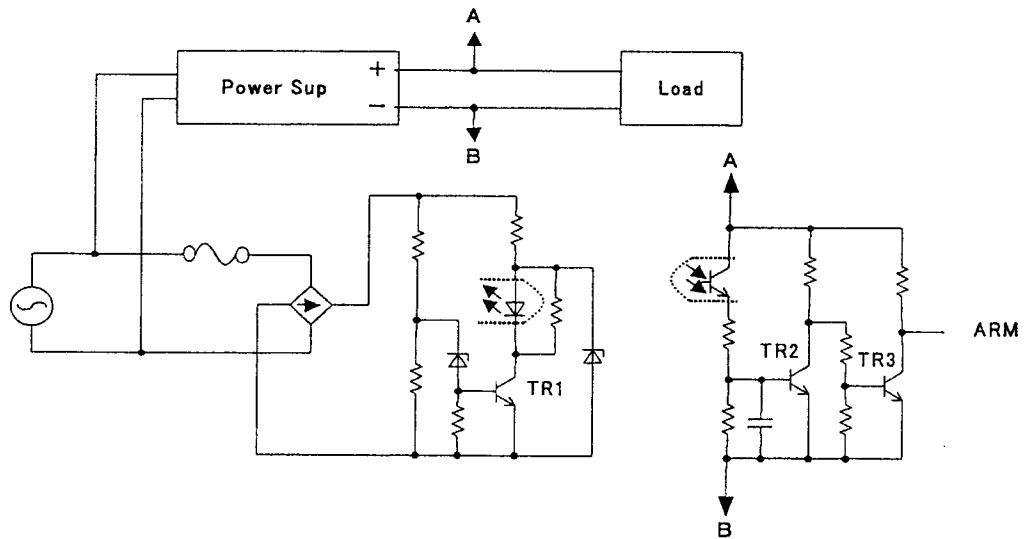


Power failuer detectoin

2001.10

The power failure can be detected by observing power-souce voltage. In the following circuit,a power-failure signal comes out about 20mS.



	TR1	TR2	TR3	ARM
AC off → on	off → on	off → on	on → off	L → H
AC on → off	on → off	on → off	off → on	H → L