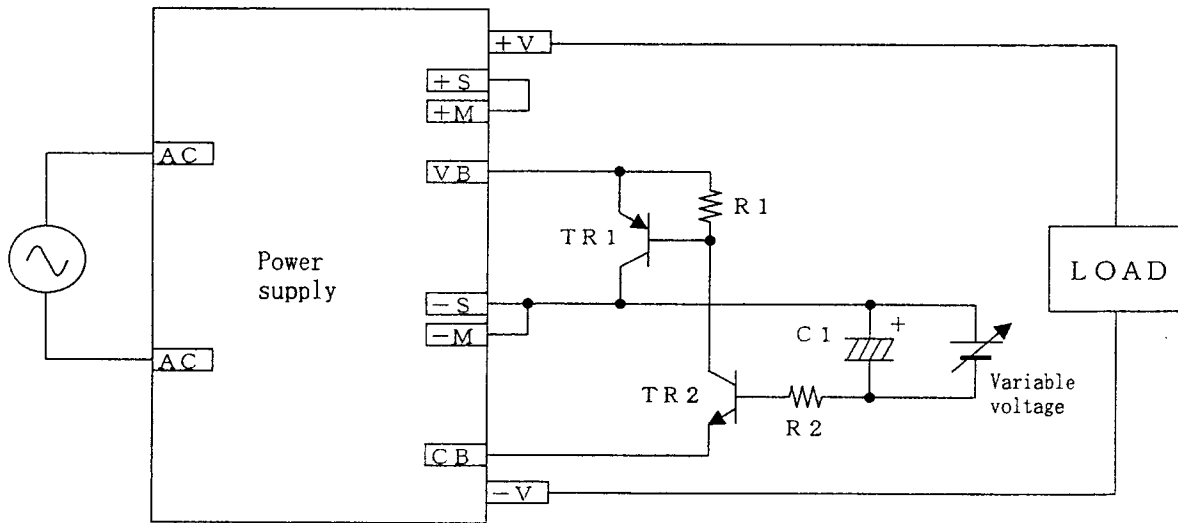


## Control of OCP(Over current protection point)

Voltage between "-S" and "VB" is proportional to the output voltage.  
 And voltage between "-S" and "CB" is proportional to the input current.  
 It is possible to control the output current by adjusting these voltage.



### Note

- (1) The voltage "CB" - "-S" is shifted by the input voltage.
- (2) It is not possible to control the output current from 0A.