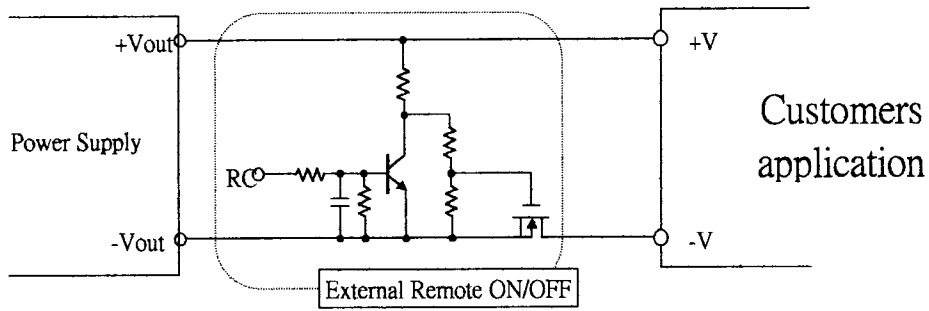


External Remote ON/OFF circuit



Eg. External Remote ON/OFF circuit

Between(RC)and(-Vout) : Low is Active

Between(RC)and(-Vin) : High is Negative

Remarks: FET should be the low resistance type