

Fig.1 Low inputvoltage detection

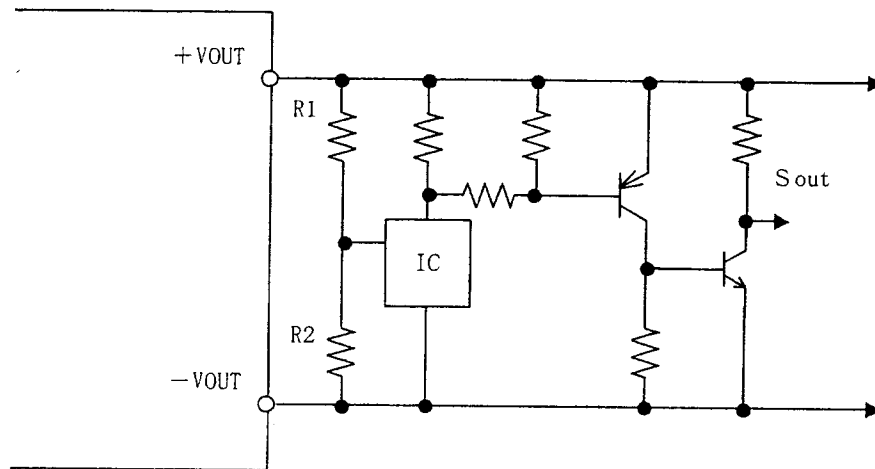


Fig.2 Low outputvoltage detection

IC : TL431

$V_{alm} = 2.5 \times (1 + R1/R2)$:detection voltage

Sout : Alarm signal output

Normal:Low