

**CBS2004828 Derating with Heat Sink (H=0.25inch)**

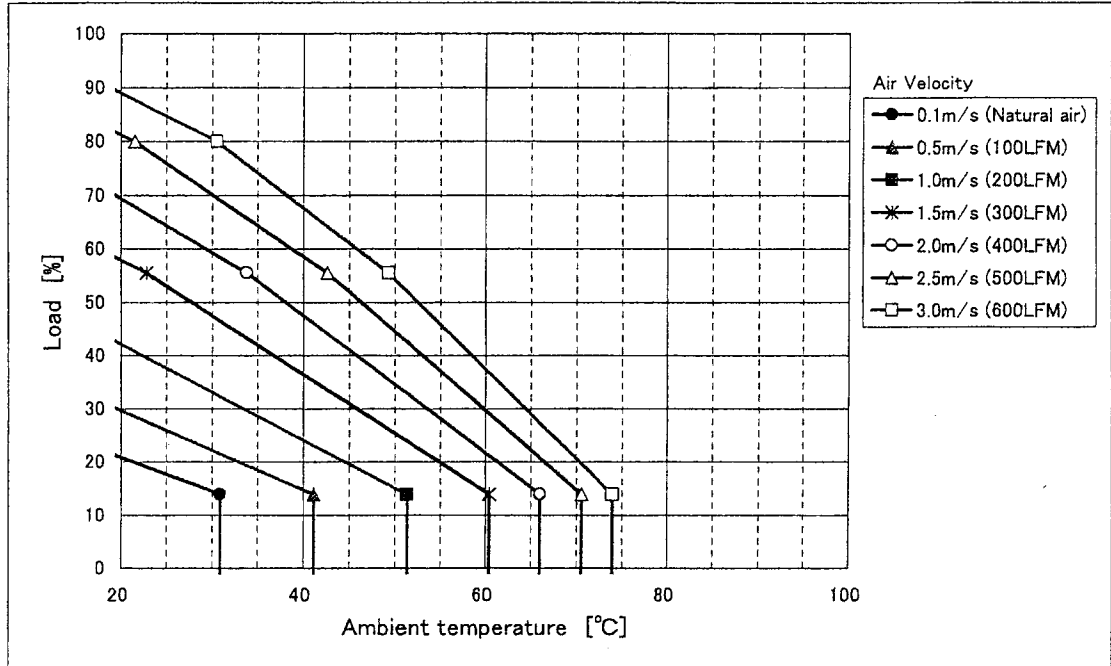


Fig. 1 CBS2004828 Derating (H=0.25inch)

※ 1 m/sec ≙ 200 LFM (linear feet per minute)

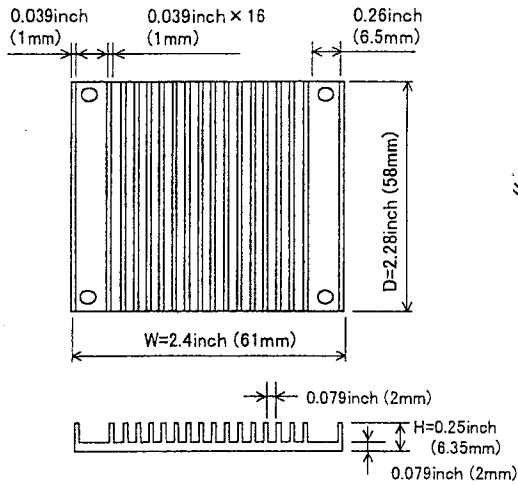


Fig.2 Size of Heat Sink

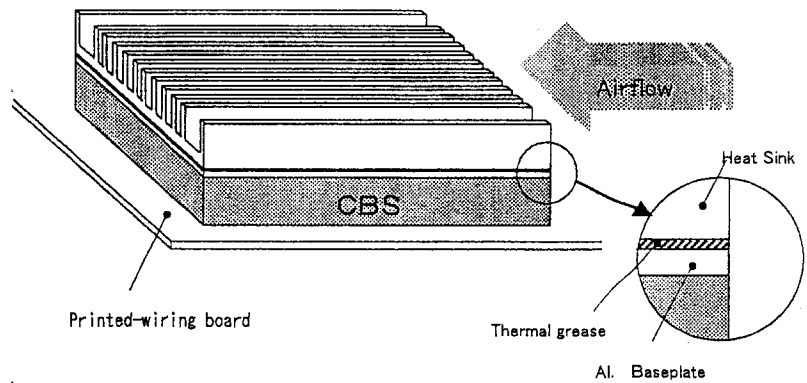


Fig.3 Test method

Note: Verify that baseplate temperature is below design level.

**CBS2004828 Derating with Heat Sink (H=0.5inch)**

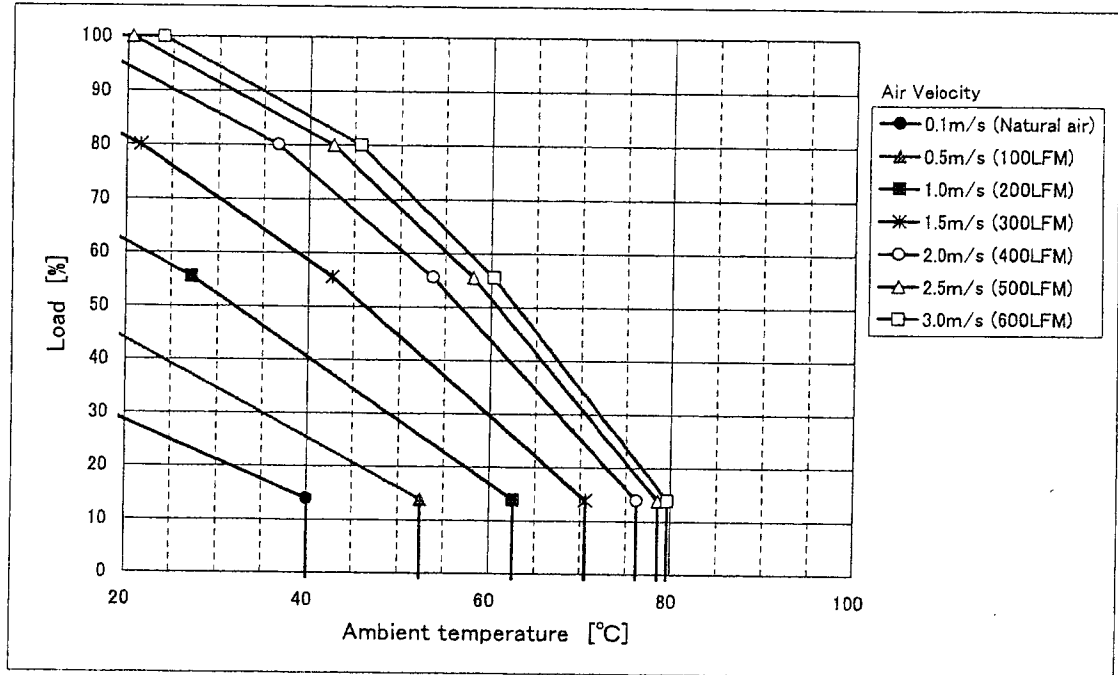


Fig. 1 CBS2004828 Derating (H=0.5inch)

※ 1 m/sec ≅ 200 LFM (linear feet per minute)

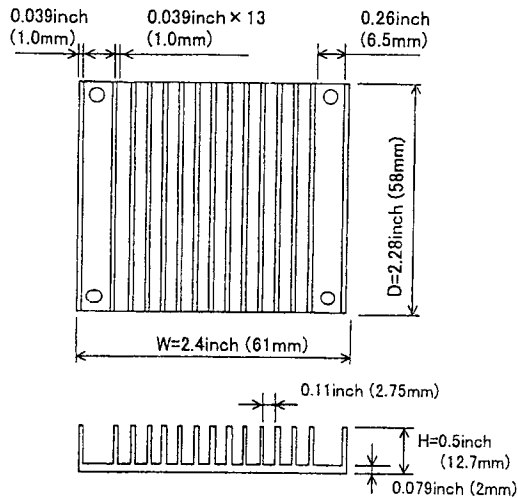


Fig.2 Size of Heat Sink

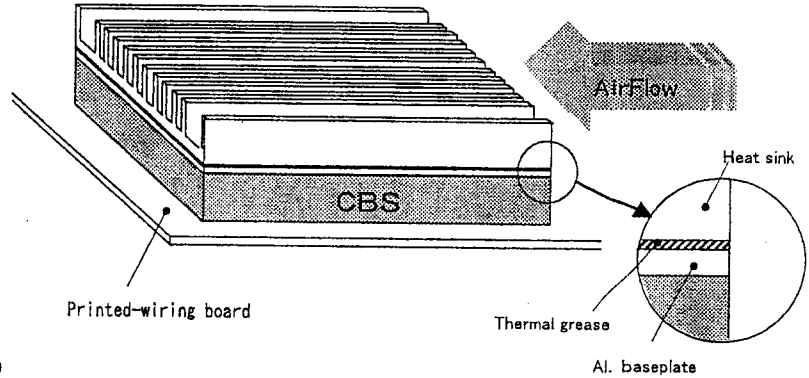


Fig.3 Test method

Note: Verify that baseplate temperature is below design level.

**CBS2004828 Derating with Heat Sink (H=1.0inch)**

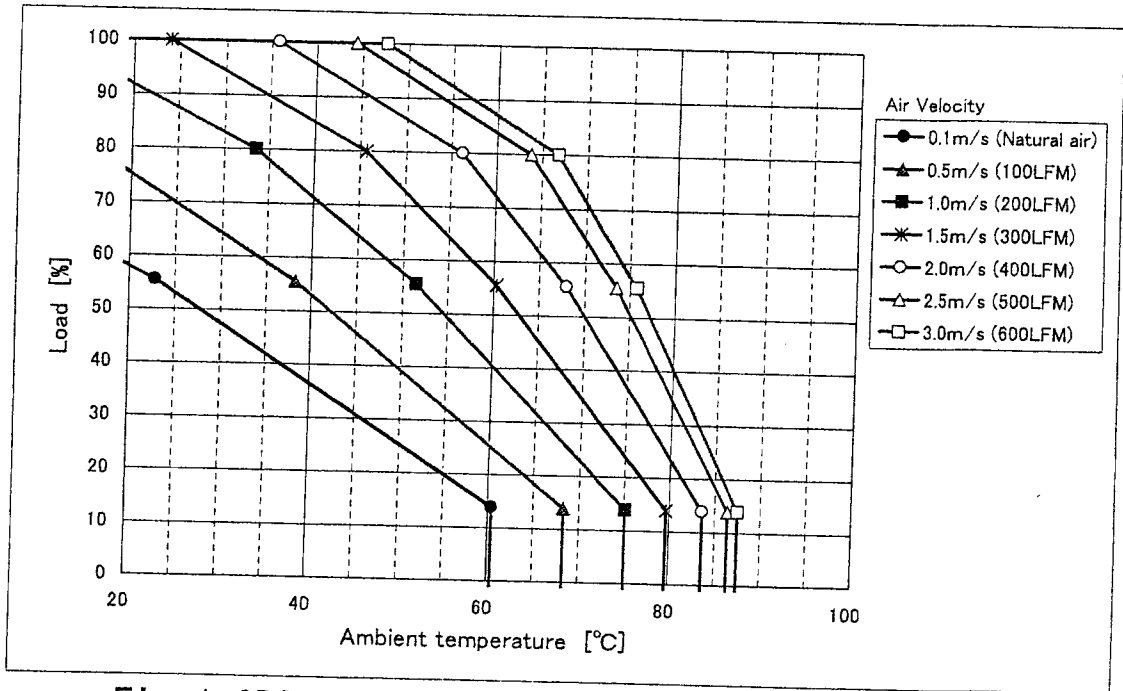


Fig. 1 CBS2004828 Derating (H=1.0inch)

※ 1 m/sec ≅ 200 LFM (linear feet per minute)

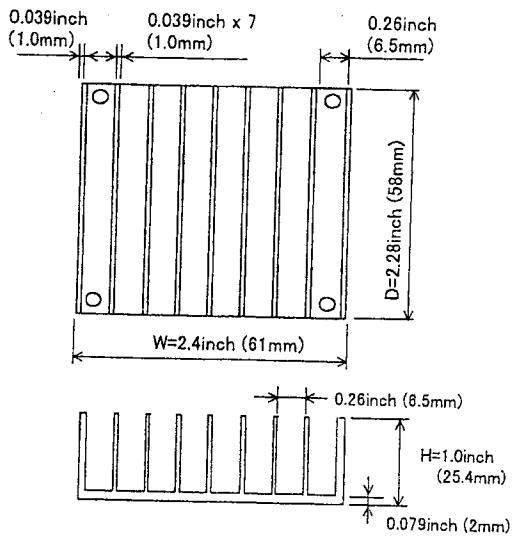


Fig.2 Size of Heat Sink

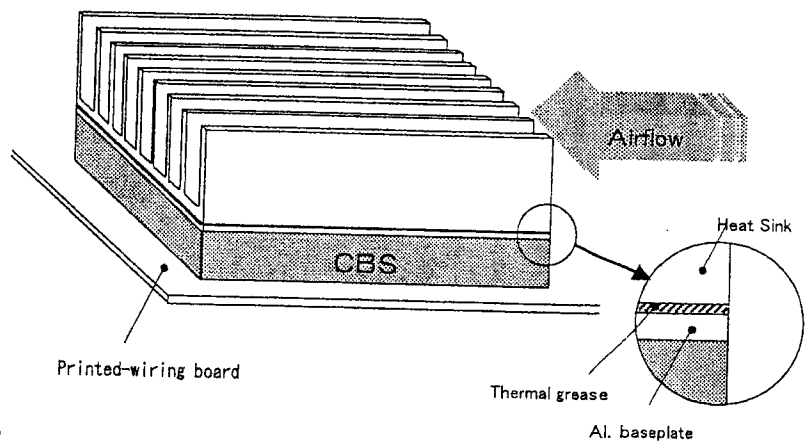


Fig.3 Test method

Note: Verify that baseplate temperature is below design level.

**CBS2004828 Derating with Heat Sink (H=1.5inch)**

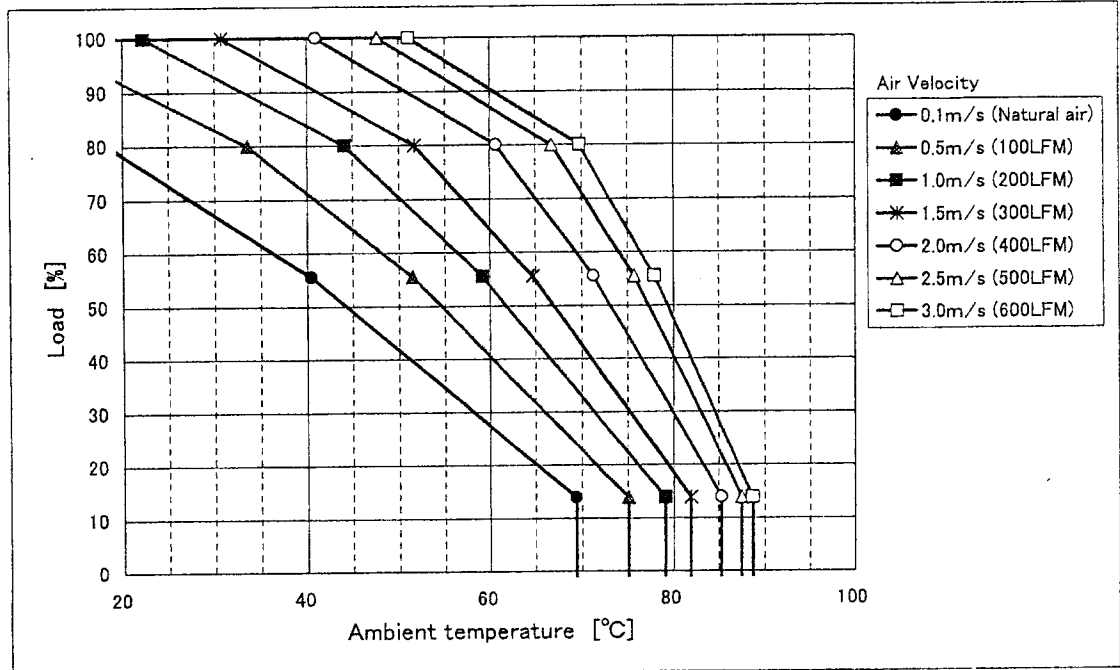


Fig. 1 CBS2004828 Derating (H=1.5inch)

※ 1 m/sec ≐ 200 LFM (linear feet per minute)

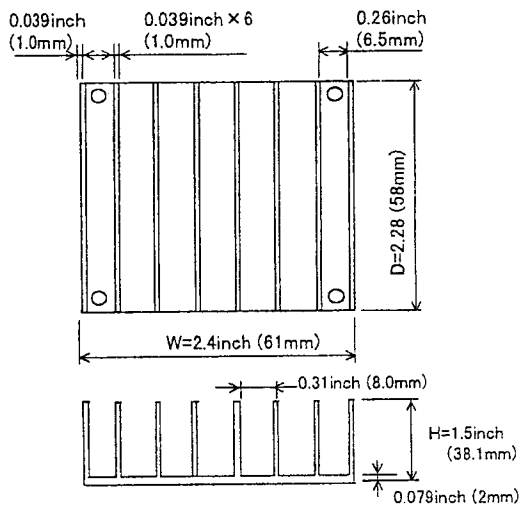


Fig.2 Size of Heat Sink

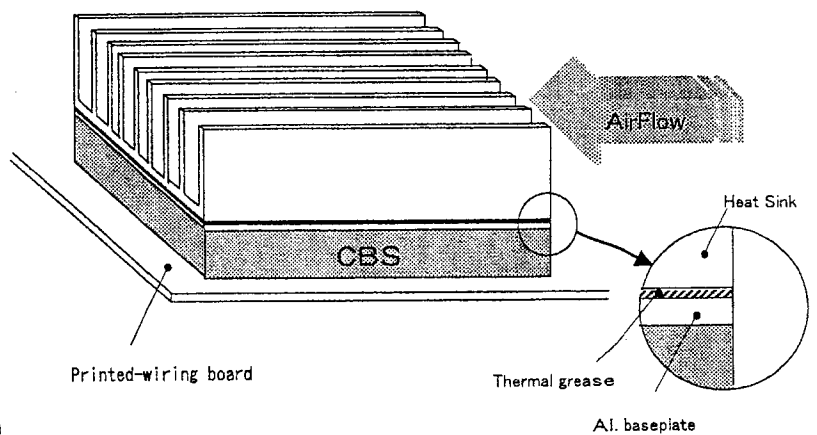


Fig.3 Test method

Note: Verify that baseplate temperature is below design level.