

Maxmum current at parallel operation

Parallel operation is available by connecting the units as shown below .

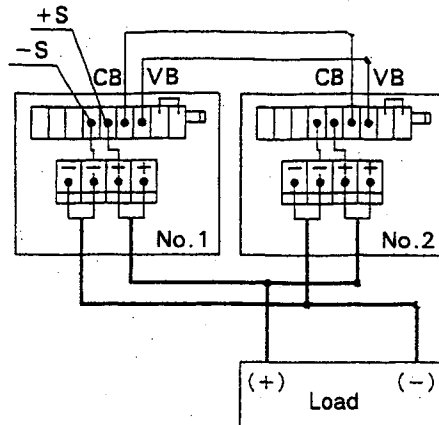


figure 1 connecting method

As variance of output current drew from each power supply is maximum 10%, the total output current must not exceed the value determined by the following equation.

Output current at parallel operation

$$= \text{the rated current per unit} \times \text{number of unit} \times 0.9$$

Example : PAA300F-5 , 2 pieces

$$\text{Total output current at parallel operation} = 60\text{A} \times 2 \times 0.9 = 108\text{A}$$

If output current per unit is same , it is 54 A .

But it has variances .

There is a possibility for output current of one unit is 48A(-10%) and the other unit is 60A(+10%).

CB is the current balance curcuit to operate power supply at the same current .

But it has many parts(IC,resistor,capacitor,Tr etc) and they have variances .

So ,we recommend the current at the rated current per unit $\times 0.9$

not to be over the rated current .